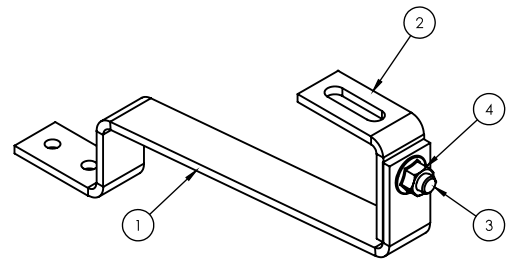
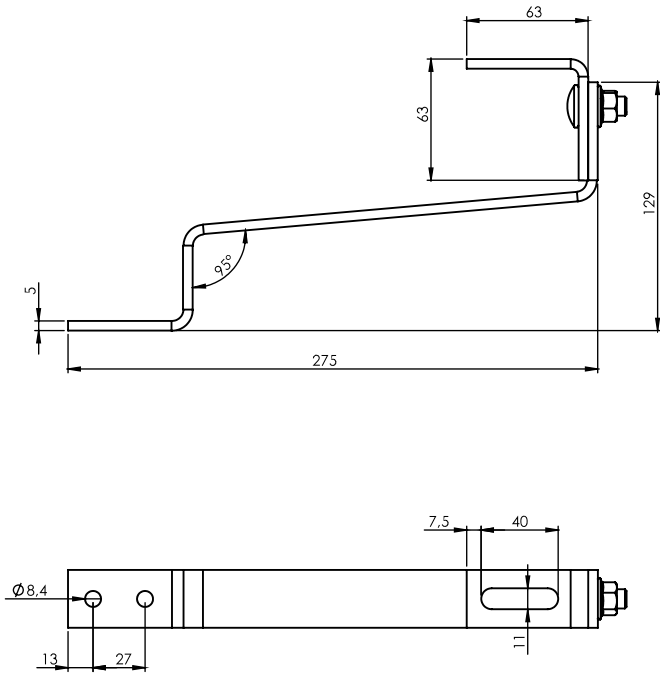


TECHNICAL CARD

Adjustable roof hook



KTM Z-BD-4011

MATERIAL Sainless steel, 1.4016,

WEIGHT 0,56 kg,

SURFACE FINISH Mill finish

PURPOSE The hook is designed for mounting the structure for panels photovoltaic panels on pitched roofs covered with plain tiles.

MOUNTING HOLES Top bean hole - 40x11 mm; lower holes - Ø8,4 mm